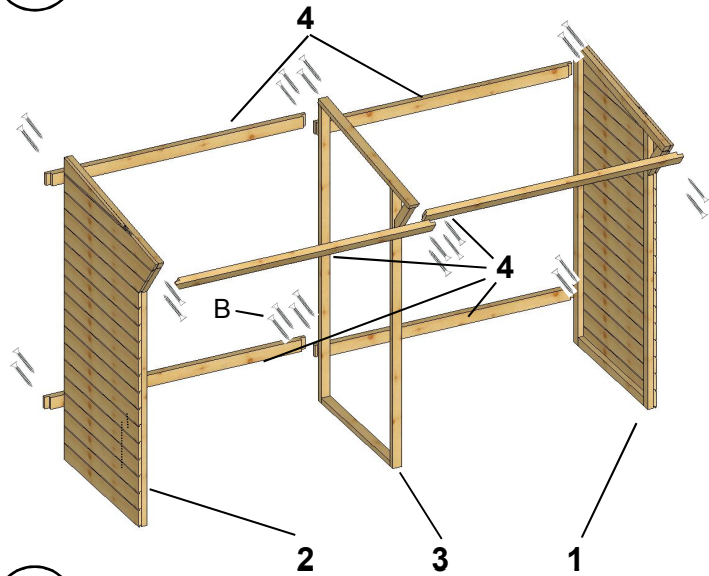
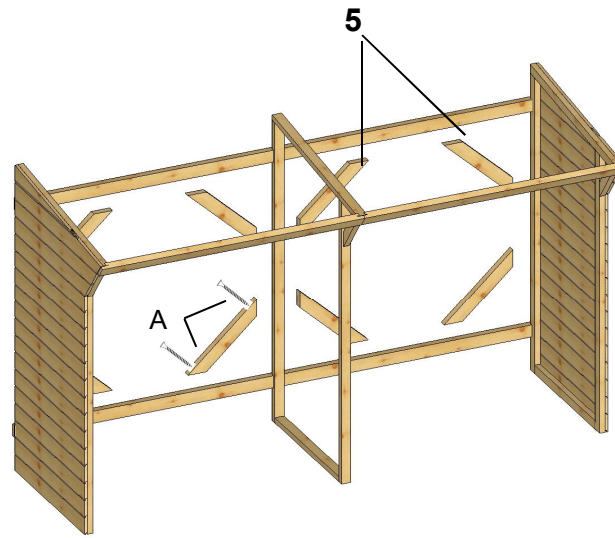


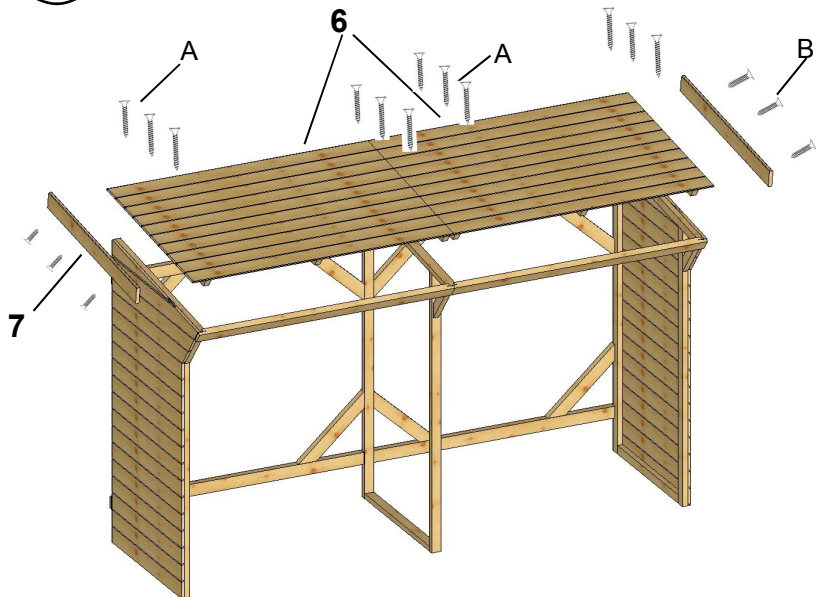
I



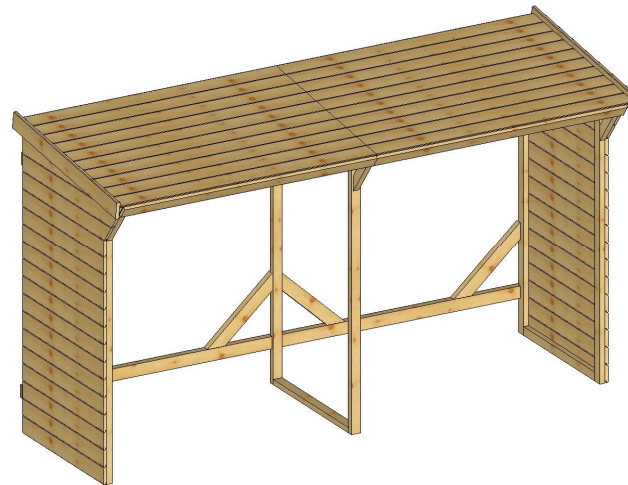
II



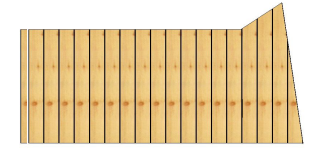
III



IV



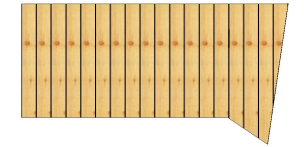
1



x1

1840x1050/900x50

2



x1

1840x1050/900x50

3



x1

1840x1050/900x70

4



x6

1355x70x35

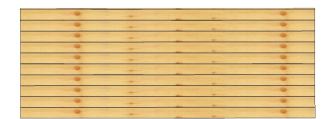
5



x8

500x70x35

6



x2

1140x1385x44

7



x2

15x60x1170

A  x28

4x70

B  x30

4x50

